

Current refinements (click  to remove)

[Search Tips](#) 
 [Region](#)  [USA](#) [Product Family](#)  [Male Disconnect, Vinyl Barrel Insulated – Funnel Entry](#) [Text Search: 'DV18-250MB-CY'](#)
Your search criteria matched only one product, shown below.

- Male tab couples with (all .250 x .032) female disconnects
- Insulation support helps to prevent wire damage in bending applications
- Male tab can be inserted and removed from the female disconnect without the use of tools for lower installed cost
- UL and CSA rated up to 600 V per UL 310



Part Number:	DV18-250MB-CY
RoHS Compliancy Status:	Compliant
Note:	DV18-250MB-CY replaces DV18-250MB-C
Part Description:	Male Disconnect, vinyl barrel insulated, funnel entry, 22 – 18 AWG, .250 x .032 tab.
Product Type:	Disconnects
CSA Certified:	Yes
Length (In.):	.98
Max. Ins.:	.154
Panduit Color Code:	Red
Tab Size (In.):	.250 x .032
Tool:	CT-1550, CT-1551, CT-2500
Wire Range:	22 – 18 AWG
Min. Order UOM:	PC
Min. Order Qty.:	100
BOM Qty. (# of Pkgs.)	

[Add to My Catalog](#)

 Please [register](#) to utilize the 'Bill of Materials', 'Submit Quotes' and 'My Catalog' features.

View Content Details
[Evaluate](#)
[Design a Solution](#)
[Install & Maintain](#)
Part Drawings:
 [Male Disconnect, Vinyl Barrel Insulate...](#)
[Design a Solution](#)
Part Drawings:
 [Male Disconnect, Vinyl Barrel Insulated - Funnel Entry pdf](#)

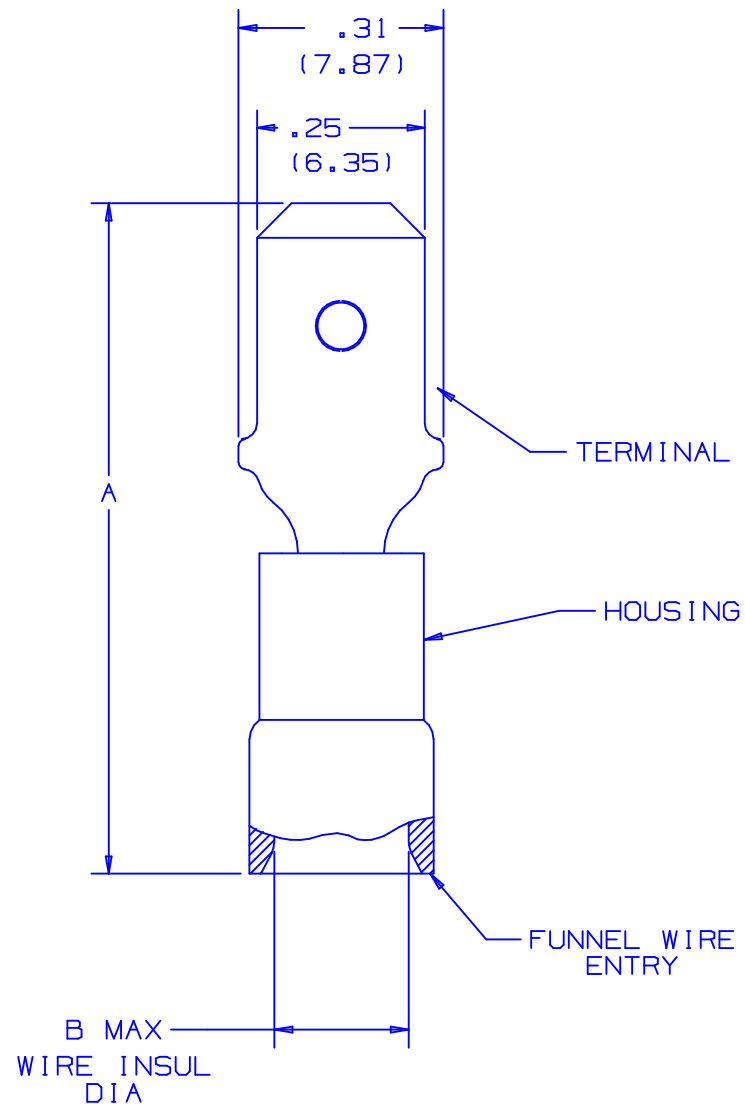
PANDUIT PART NUMBER		WIRE RANGE	COLOR CODE	DIMENSIONS in.	
PREFIX	PK			A $\pm .03$	B
DV18-250MB	-C -M -MY	22-18	RED	.98 (24.9)	.154 (3.91)
DV14-250MB	-C -M	16-14	BLUE	.96 (24.3)	.180 (4.57)

NOTES :

- CSA CERTIFIED FOR :
A. 600 V MAX. VOLTAGE RATING
B. 221°F (105°C) MAX. TEMP. RATING
C. STRANDED COPPER WIRE ONLY
- MATERIAL :
A. STAMPING - .031" THK COPPER, NICKEL PLATED
B. HOUSING - VINYL
- DIMENSIONS IN BRACKETS ARE IN MILLIMETERS
- INSTALLATION TOOLS : CT-500, CT-550, CT-1551, CT-1550
- PACKAGE QTY. : -C=100
-M=1000, -MY=1000



CERTIFIED
LR31212



05	5/05	JHNU		ADDED PACKAGING CODE "MY" TO DRAWING.			
04	1/01	RM	SKB	FILESPEC WAS N41405AA_PCD_03	08925	JAC	CCH
03		JD		ADDED CT-1551 & CT-1550 TOOLS	07634		
02	1/95	MS	LM	UPDATED NOTES AND DIMENSIONS	02947	DH	TFKE
01	1/90	DL	LM	REVISED DWG. TO CURRENT DESIGN WITH LESS MAT'L IN TRANSITION AREA		DH	LM
REV	DATE	BY	CHK	DESCRIPTION	ECN #	CUST	PM

A41405_05

PANDUIT CORP.

TINLEY PARK, ILLINOIS

2PC. VINYL INSULATED,
.250 MALE TABS

DRAWN BY JP	CHK'D LM	SCALE NONE	DRAWING NO. A41405
----------------	-------------	---------------	-----------------------